

# SRP-F313II

3 inch POS Printer



Retail



Healthcare & Pharmacy



Post & Parcel



Warehouse & Storage Handling

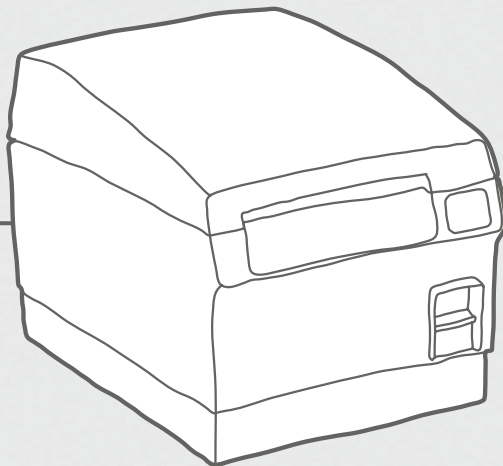
# Experience a truly Waterproof Solution



Compatible with



Made for iPod iPhone iPad



Dual layers for water protection



Built-in power supply



## Environmental Endurance

- Liquid-Barrier™ creates real waterproof and dustproof solution (IP12 certified)
- Built-in power supply for space saving and water protection

## Ensuring Business Continuity

- High reliability of 250 km TPH with its auto cutter guaranteed up to 3 million cuts
- Faster printing speed up to 350 mm/sec (29% faster than SRP-F310)
- All in one Plus™ Interface: Built-in USB V2.0 & Ethernet + Optional Serial, Parallel, Powered USB, Bluetooth or WLAN
- Using paper guider different size of papers roll can be used

## Low TCO

- Paper save mode supported
- Eco-friendly low power consumption technology adopted
- Energy star certified



350 mm/sec

# SRP-F313II

## 3 inch POS Printer

### Specifications

#### Printer Specifications

**Print Method**

Direct Thermal (Front Exit-Out Side)

**Print Speed**

Up to 350 mm/sec

**Paper Feeding Speed**

300 mm/sec (Continuous paper feeding)

**Print Resolution**

203 dpi (640dots)

**Print Width**

Up to 80 mm

**Sensor**

Paper End, Paper Near End, Cover Open, Ticket Print Status

**Black Mark**

Width: 81 mm  
Height: 4 mm

#### Media Characteristics

**Media Type**

Top Coated Thermal Paper

**Media Width**

Up to 83 mm

**Media Roll Diameter**

Up to 105 mm

**Media Thickness**

100 gsm + 2.5%

**Supply Method**

Easy and Auto Paper Loading

**Media Weight**

Min. 100 gsm

#### Physical Characteristics

**Dimensions (WxLxD)**

154 x 203 x 148 mm  
(6.06 x 7.99 x 5.82 inch)

**Weight**

2.00 kg (4.40 lbs.)

**Power**

EnergyStar Certified, External Power Supply  
Housed Internally 90 -240V, AV, 50/60Hz

**Drawer Port**

2 ports (Via y-type adaptor)

#### Performance Characteristics

**NV Image Memory**

768 Kbytes (Mono)

**Receive Buffer**

4Kbytes

**User Define Buffer**

12Kbytes

**Interface**

Standard: USB V2.0 FS +Ethernet  
Optional: USB V2.0 FS +Ethernet + Serial /  
Dual Serial / Parallel / WLAN\* /  
Bluetooth V4.2 Classic / LE\*\* /  
Powered USB

\* WLAN: 802.11a/b/g/n(2.4G+5G)

\*\* Bluetooth: Class 1, MFi certified

#### Environment Characteristics

**Temperature**

Operating: 0 ~ 45°C (32 ~ 113°F)  
Storage: -20 ~ 60°C (-4 ~ 140°F)

**Humidity**

10 ~ 90% RH

#### Reliability

**Thermal Print Head (TPH)**

250 km \*\*\*

**Auto Cutter**

3 Million Cuts \*\*\*

**\*\*\* Specified Paper**

100 gsm paper

**MCBF**

37 Million lines

#### Software

**Emulation**

ESC/P

**Driver**

Windows Driver, OPOS Driver, JPOS Driver,  
Linux / Mac CUPS Driver,  
Virtual COM USB/Ethernet Driver,  
Utility Program

**SDK**

iOS SDK, Android SDK, Windows SDK,  
Linux SDK

#### Fonts / Graphics / Symbologies

**Character Size**

Font A: 12 x 24 Font B: 9 x 17 Font C: 9 x 24  
KOR, CHN, JPN: 24 x 24

**Characters Per Line**

Font A: 53 Font B, C: 71  
KOR, CHN, JPN: 26

**Character Sets**

Alphanumeric: 95  
Extended Graphics: 128 x 33 page  
International: 32  
Hindi (Italic)

**Graphics**

Supporting user-defined fonts, graphics,  
formats, and logos

**Barcode Symbologies**

1D: Coda Bar, Code39, Code93, Code128,  
EAN-8, EAN-13, ITF, UPC-A, UPC-E

2D: Data Matrix, PDF417, QR Code



BR-SRP-F313II-EN-DEC17-INR-V1

Copyright © BIXOLON Co., Ltd. All rights reserved. Features and specifications are subject to change without prior notice.

**BIXOLON®**

**BIXOLON Co.,Ltd.**  
+82 (0) 31 218 5500  
sales@bixolon.com

**BIXOLON America Inc.**  
+1 858 764 4580  
sales@bixolonusa.com

**BIXOLON Europe GmbH**  
+49 211 68 78 54 0  
sales@bixolon.de

www.Bixolon.com

